



5 Switches, control units, sockets and plugs



5 Sockets and plugs ATX

5 32 A Wall sockets

The sockets are fitted with an integrated interruption of the poles by a double-safety device. When the plug is pulled, there will be:

- an automatic and simultaneous interruption of every phase in a first explosion-proof chamber
- voltage-free separation of the pins in a second explosion-proof chamber

The cover can be locked in 3 positions:

- with connected plug under tension
- with connected plug voltage free
- without plug, cover closed

For safety reasons, only the mentioned explosion-proof plugs fit in the sockets. The explosion-proof plugs do fit in normal sockets in accordance with CEE17.

II 2 G Ex d e IIC T6/T5

II 2 D Ex tD A21 IP66 T68°C

Zone 0	✗	Zone 20	✗
Zone 1	✓	Zone 21	✓
Zone 2	✓	Zone 22	✓

LCIE02ATEX6068



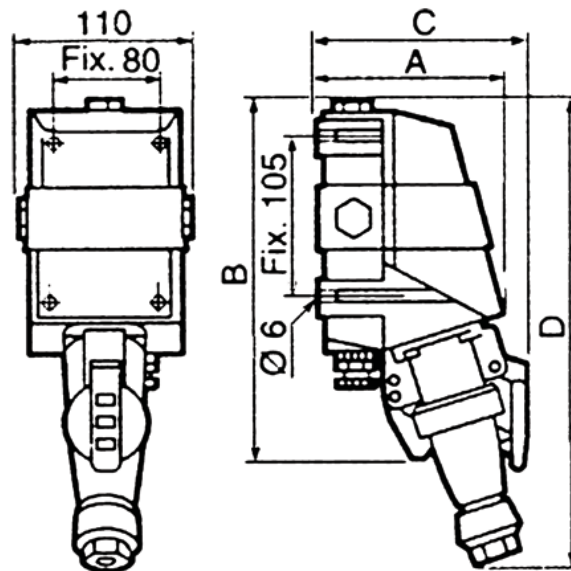
Specifications

Connection	2x6mm ²
Protection	IP66 (with or without connected plug)
Cable entries	3xM25 supplied with 1 gland (8-18,5mm) and 2 plugs
Material	high-quality, impact-resistant plastic
Ambiant temperature	-40°C - +50/55°C

Ordering data

Code	No. of poles	Nom. current	Voltage	Weight
C32-230-3	2P+E	32A	220/240 VAC	1,89 kg
C32-230-4	3P+E	32A	220/240 VAC	1,89 kg
C32-400-4	3P+E	32A	380/415 VAC	2,00 kg
C32-400-5	3P+N+E	32A	380/415 VAC	2,00 kg
C32-500-4	3P+E	32A	500 VAC	2,00 kg

Dimensional sketches



Product code	Dimensions			
	A	B	C	D
C32-230-3	140	275	155	370
C32-230-4	140	275	155	370
C32-400-4	140	275	155	370
C32-400-5	140	275	165	375
C32-500-4	140	275	155	370

