

1 Enclosures, terminal boxes, construction site boxes

7 Construction site boxes

1 Solid rubber

The solid rubber portable construction site boxes are available in 2 versions:

- single (type E80)
- double (type E70)

The housings are impact-, oil-, acid- and heat-resistant and suited for outdoor installation (IP65).

The distribution boxes are made according to your specifications and can be fitted with:

- flange sockets
- circuit breakers behind actuating flap
- earth leakage protection behind actuating flap
- transformers

These boxes are being tailor-made assembled under our ASSEMBL-Y certificate.

II 2 G Ex d e IIC T4 Gb

II 2 D Ex t IIIC IP65 T.. Db

Zone 0	✗	Zone 20	✗
Zone 1	✓	Zone 21	✓
Zone 2	✓	Zone 22	✓

DEKRA15ATEX0080



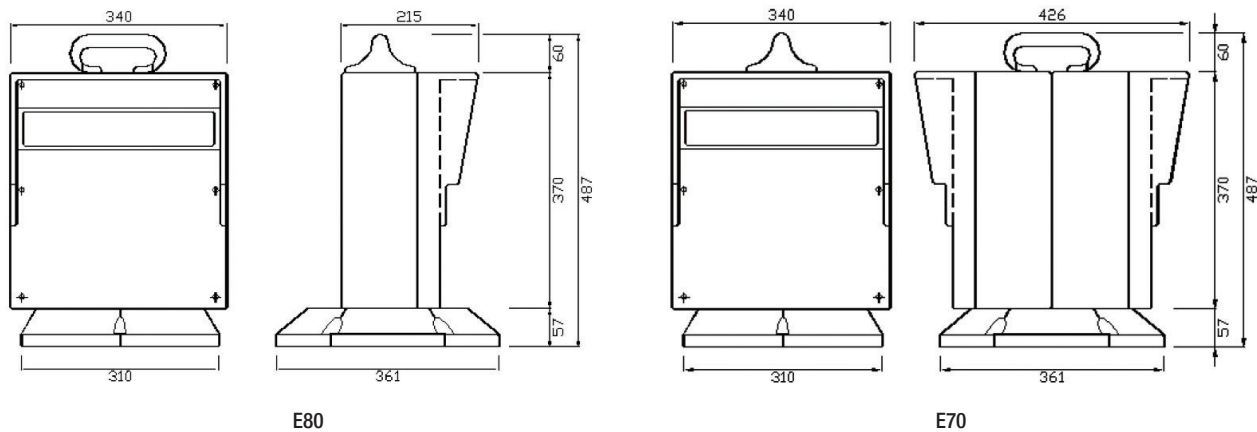
Specifications

Protection	IP65
Material	solid rubber with metal frame
Ambiant temperature	-10°C - +40°C

Ordering data

Code	Type	Construction
E80	portable	single
E70	portable	double

Dimensional sketches



E80

E70