

1 Enclosures, terminal boxes, construction site boxes

2 Enclosures Exd IIC

2 EMH series - with window

The EMH series windows are suited for the installation of digital and analogue instruments with external readout (meters, displays).

Specifications

Material	corrosion- and saltwater- resistant aluminium with polyurethane paint, RAL9002 (EMH90 = RAL6003)
Protection	IP65
Mounting plate	aluminium, 2 mm thick (except EMH90)
Earthing	internal and external stainless steel M6 bolt
Ambiant temperature	-20°C - +40°C
Mounting	mounting eyes

- II 2 G Ex db IIC T6/T5/T4 Gb
- II 2(1) G Ex db [ia Ga] IIC T6 Gb
- II 2(2) G Ex db [ib] IIC T6 Gb
- II 2 D Ex tb IIIC T85°C/T100°C/T135°C Db IP66

Zone 0	✗	Zone 20	✗
Zone 1	✓	Zone 21	✓
Zone 2	✓	Zone 22	✓

INERIS22ATEX0033X



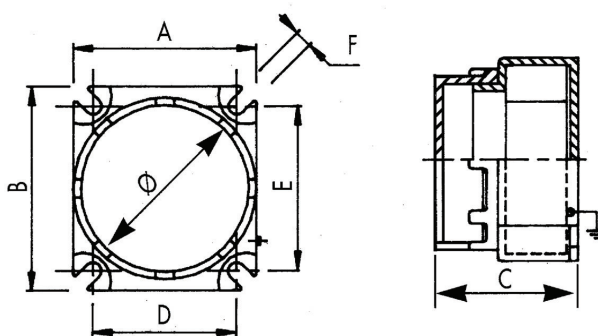
On request

- entries with or without glands
- installation of electric/electronic components
- installation of instruments
- ambient temperature -30°C - +55°C

Ordering data

Code	Dimensions (hxwxd) (mm)	Mounting plate (mm)	Window (mm)	Weight
EMH-Y-160	210 x 210 x 158	Ø160	Ø160	5,90 kg
EMH-Y-175	281 x 232 x 184	Ø175	Ø175	8,90 kg
EMH-Y-200	298 x 257 x 198	Ø200	Ø200	11,86 kg
EMH-Y-230	329 x 293 x 236	Ø230	Ø230	15,75 kg

Dimensional sketches



Product code	Dimensions						
	A	B	C	D	E	F	Q
EMH-Y-160	210	210	158	190	190	8	160
EMH-Y-175	281	232	184	260	210	8	175
EMH-Y-200	298	257	198	275	235	8	200
EMH-Y-230	329	293	236	305	270	10	230